

T series 3 way electric ss304 ball valve

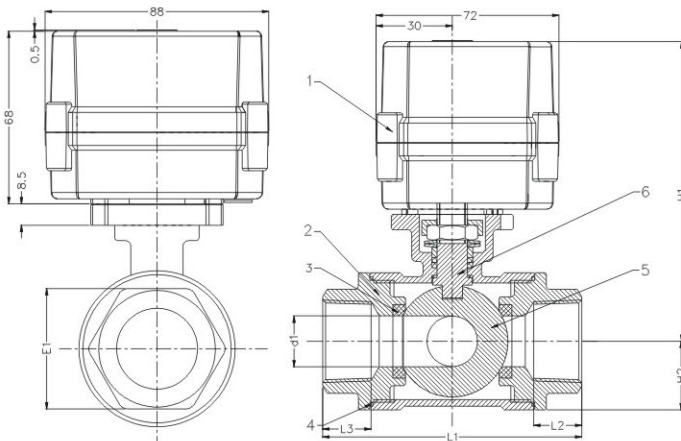
Technical Parameters:

Product size	NPT/BSP 1/2" NPT/BSP 3/4" NPT/BSP 1" (Optional)
Maximum working pressure	1.0 MPa
Circulation medium	Fluid, air
Rated voltage	AC/DC9-35
Wiring control methods	CR2 01 CR2 02 CR3 03 CR4 01 CR5 01 CR5 02 CR7 03 CR7 04 (Optional)
Working current	≤1A
Open/close time	≤13S
Life time	70000 times
Valve Body material	304 Stainless steel
Actuator material	Engineering Plastics
Sealing material	FKM & PTFE
Actuator rotation	90°
Max. torque force	10 Nm
Cable Length	0.5m
Environment temperature	-15℃ ~ 50℃
Liquid temperature	2℃ ~ 90℃
Manual override	No
Indicator	Yes
Protection class	IP67



T25-S3L-C

Dimension Figure



Components

NO.	NAME	Material	Specification	Quantity
1	Actuator	PPO		1
2	Body Cover	Stainless steel	304	1
3	Sealing	PTFE		1
4	Sealing	PTFE		2
5	Ball	Stainless steel	304	1
6	Stem	Stainless steel	304	1

Application

DESCRIPTION	D1/D2	d1	L1	L2/L3	E1	H1	H2
T15(1/2") Electric valve	1/2"	12	68	14	24.5	104	18
T20 (3/4") Electric valve	3/4"	15	75	16	31	107	20
T25(1") Electric valve	1"	18	85	17	38.5	114.5	23.5